

JDN AIR HOISTS MINI



J·D·NEUHAUS
1745
engineered for extremes

JDN AIR HOISTS MINI



The mini series at a glance



Energy supply
(spiral hose)



Manual trolleys

mini in mani-
pulator version



Special grease for
oil-free operation



Galvanised chain
Corrosion Resistant

Sensitive control
Precise Positioning

Explosion classification
II 3 GD IIA T4



The JDN mini series for general duty

Carrying capacities: 275 lbs, 500 lbs, 1,100 lbs, 2,200 lbs
Air pressure: 87 psi

The **mini** widens the range of applications as a handy, flexible and universally deployable hoist making it an ideal tool for a wide range of manufacturing and assembly applications.

mini Manipulator

With the **mini** manipulator loads can be lifted, lowered, manually traversed and positioned with only one hand. Further information on request.

Explosion Classification: II 3 GD IIA T4



The advantages at a glance

- Price competitive alternative when compared to other types of powered hoists.
- Suitable for lube-free operation.
- Suitable for application in hazardous areas.
- Minimum components for ease of maintenance.
- Wear resistant motor braking system.
- Lightweight for easy handling.
- Also suitable for horizontal pulling.
- Extremely sensitive lever control with optional emergency stop, max. control length 20 ft.
- Available lifting heights: up to 26 ft.
- With chain box as standard.
- With manual trolley as option.

Technical Data

| Type | | mini 125 | mini 250 | mini 500 | mini 1000 |
|--|---------------------|-----------|----------|----------|-----------|
| Capacity | lbs | 275 | 550 | 1100 | 2160 |
| | kg | 125 | 250 | 500 | 980 |
| Number of chain strands | | 1 | 1 | 1 | 1 |
| Motor output | kW | 0.4 | 0.4 | 1 | 1 |
| Air pressure | psi | 87 | 87 | 87 | 87 |
| | bar | 6 | 6 | 6 | 6 |
| Lifting speed without load ¹ | ft/min | 130 | 65 | 65 | 33 |
| | m/min | 40 | 20 | 20 | 10 |
| Lifting speed at full load ¹ | ft/min | 49.5 | 26 | 33 | 16 |
| | m/min | 15 | 8 | 10 | 5 |
| Lowering speed at full load | ft/min | 99 | 52 | 59 | 33 |
| | m/min | 30 | 16 | 18 | 10 |
| Lowering speed without load | ft/min | 78.7 | 39.4 | 39.4 | 19.7 |
| | m/min | 24 | 12 | 12 | 6 |
| Air consumption at full load – lifting | cfm | 17.5 | 17.5 | 42.5 | 42.5 |
| | m ³ /min | 0.5 | 0.5 | 1.2 | 1.2 |
| Air consumption at full load – lowering | cfm | 24.7 | 24.7 | 56.5 | 56.5 |
| | m ³ /min | 0.7 | 0.7 | 1.6 | 1.6 |
| Air connection | | G 3/8 | G 3/8 | G 1/2 | G 1/2 |
| Hose dimension (Ø inside) | inch | 3/8 | 3/8 | 1/2 | 1/2 |
| | mm | 9 | 9 | 13 | 13 |
| Weight with 10 ft / 3 m lift | lbs | 21 | 23.1 | 46.2 | 50.6 |
| | kg | 9.5 | 10.5 | 21 | 23 |
| Chain dimension | mm | 4 x 12 | 4 x 12 | 7 x 21 | 7 x 21 |
| Weight of chain | lbs/ft | 0.23 | 0.23 | 0.67 | 0.67 |
| | kg/m | 0.35 | 0.35 | 1.0 | 1.0 |
| Height of lift | ft | 10/16/26 | | | |
| | m | 3/5/8 | | | |
| Length of control at standard lift | ft | 6.5/13/20 | | | |
| | m | 2/4/6 | | | |
| Noise level at full load ² – lifting | dB(A) | 79 | 79 | 77 | 77 |
| Noise level at full load ² – lowering | dB(A) | 80 | 80 | 83 | 83 |

Group mechanism: M3 (1 Bm)

¹ Lifting speed at 2 m length of control. Longer control hoses decrease the lifting speeds.

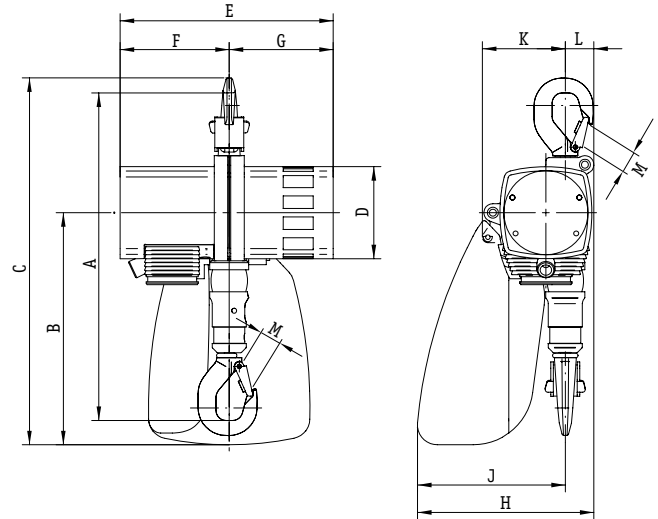
² Measured at 1 m distance acc. to DIN 45635 part 20

JDN AIR HOISTS MINI



Dimensions

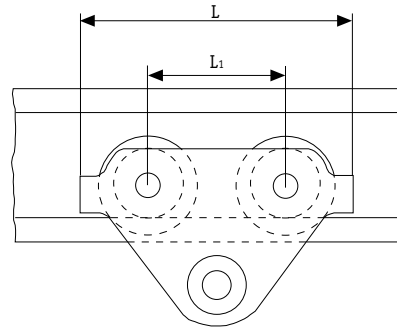
| Type | | mini 125 | mini 250 | mini 500 | mini 1000 |
|------|------------|-------------|-------------|-------------|-------------|
| A | inch mm | 12.9 328 | 12.9 328 | 18.0 458 | 18.0 458 |
| B | inch mm | 9.1 232 | 9.1 232 | 12.4 316 | 12.4 316 |
| C | inch mm | 14.4 367 | 14.4 367 | 19.9 505 | 19.9 505 |
| D | inch mm | 3.6 92 | 3.6 92 | 4.8 122 | 4.8 122 |
| E | inch mm | 8.4 213 | 8.4 213 | 11.5 292 | 11.5 292 |
| F | inch mm | 4.3 109 | 4.3 109 | 5.8 148 | 5.8 148 |
| G | inch mm | 4.1 104 | 4.1 104 | 5.6 144 | 5.6 144 |
| H | inch mm | 7 177 | 7 177 | 9.2 234 | 9.2 234 |
| J | inch mm | 5.8 148 | 5.8 148 | 7.6 194 | 7.6 194 |
| K | inch mm | 3.3 83 | 3.3 83 | 4.7 119 | 4.7 119 |
| L | inch mm | 1.1 29 | 1.1 29 | 1.6 40 | 1.6 40 |
| M | inch mm | 0.7 19 | 0.7 19 | 1.1 28 | 1.1 28 |



Manual Trolleys for JDN Air Hoists mini

Technical Data

| Type | | LN 250 | LN 1000 |
|-------------------------|------|--------|---------|
| Capacity | lbs | 550 | 2200 |
| | kg | 250 | 1000 |
| Beam flange width b | inch | 2-8 | 2-8 |
| | mm | 50-220 | 58-220 |
| max. flange thickness t | inch | 1.2 | 1.0 |
| | mm | 30 | 25 |
| min. curve radius | inch | 35.4 | 39.4 |
| | m | 0.9 | 1.0 |
| Weight | lbs | 17 | 21 |
| | kg | 7.7 | 10.5 |



Dimensions

| Type | | LN 250 | LN 1000 |
|----------------|------|--------|---------|
| A | inch | 3.1 | 3.1 |
| | mm | 79 | 79 |
| D | inch | 0.7 | 0.7 |
| | mm | 17 | 17 |
| D ₁ | inch | 1 | 1.2 |
| | mm | 25 | 30 |
| D ₂ | inch | 1.2 | 1.4 |
| | mm | 30 | 35 |
| H ₁ | inch | 1.2 | 1 |
| | mm | 30 | 25 |
| I | inch | 2.7 | 3.2 |
| | mm | 67.5 | 81.5 |
| L | inch | 10.2 | 10.2 |
| | mm | 260 | 260 |
| L ₁ | inch | 5.1 | 5.1 |
| | mm | 130 | 130 |
| O | inch | 2.2 | 2.7 |
| | mm | 55 | 68 |
| T | inch | 5.7 | 5.9 |
| | mm | 144 | 151 |

